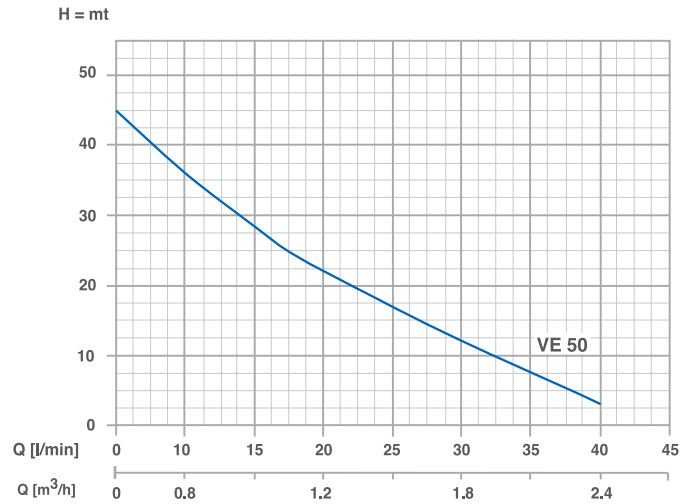
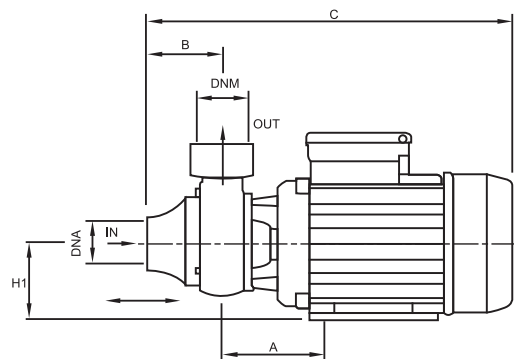
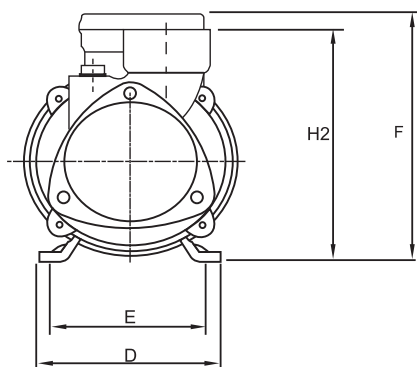




Series VE PERIPHERAL PUMPS



TYPE	HP	kW	A	Q(m³/h)	0.3	0.6	1.2	1.8	2.4	3
				L/min	5	10	20	30	40	50
VE-50	0.5	0.37	2.3	H (m)	40	33	20.5	9.5	3	



TYPE	DIMENSION (mm.)										Weight
	A	B	C	D	E	F	H1	H2	DNA	DNM	Kg.
VE-50 (1/2 hp)	63	50	260	120	97	165	65	143	1"G	1"G	5.7