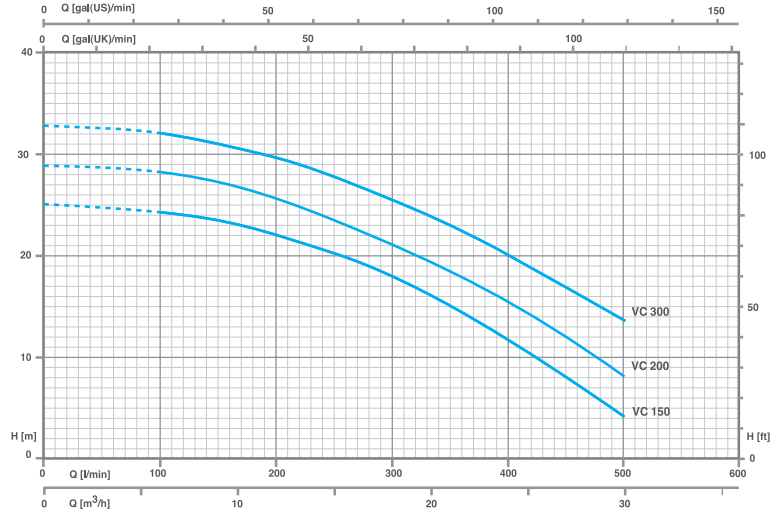
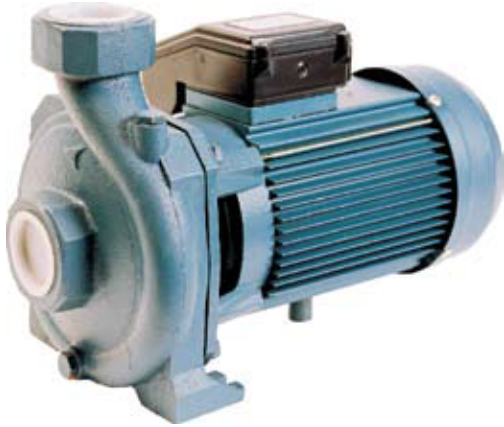
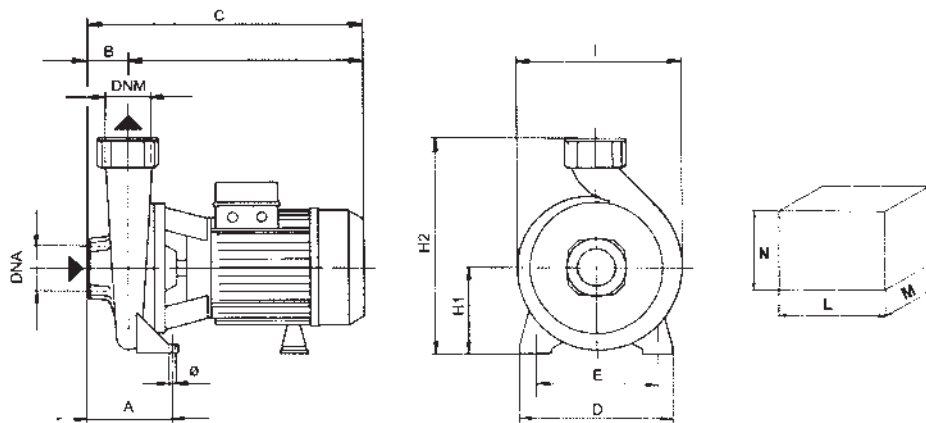




Series VC SINGLE IMPELLER CENTRIFUGAL ELECTRIC PUMPS



TYPE		P2		AMPERE		Capacity (m³/h - l/min)										DNA	DNM
1~ 230 V - 50 Hz	3~ 230/400 V - 50 Hz	(HP)	(kW)	1~	3~	0	6	9	12	15	18	21	24	27	30		
						1x230V 50Hz	3x400V 50Hz	Total head (m)									
VC 150	VC 150 T	1.5	1.1	9.2	3.4	25	24.2	23.4	22	20.1	17.8	15	11.8	8.2	4	2°G	2°G
VC 200	VC 200 T	2	1.5	11.5	4.2	28.8	28	27.1	25.4	23.4	21.2	18.5	15.5	12	8	2°G	2°G
VC 300	VC 300 T	3	2.2	13.6	5.3	32.8	32	30.9	29.5	27.6	25.5	22.9	20	16.7	13.5	2°G	2°G



TYPE	DIMENSION (mm.)											PACKING (mm.)			Weight Kg.
	A	B	C	D	E	I	∅	H1	H2	DNA	DNM	N	L	M	
VC 150	105	52	370	200	160	215	9.5	110	280	2°G	2°G	300	390	230	22
VC 200	105	52	370	200	160	215	9.5	110	280	2°G	2°G	300	390	230	24
VC 300	105	52	410	200	160	215	9.5	110	280	2°G	2°G	300	430	230	32

Cast iron pump body , Cast iron pump bracket , Brass impeller , Stainless steel shaft or mild steel , Max temperature of pumped liquid 90 °C for Brass , max working pressure 6 bar , Carbon/Ceramic Mechanical Seal , Motor T.E.F.C 2 poles Insulation Class F Protection IP 55 or IP 44