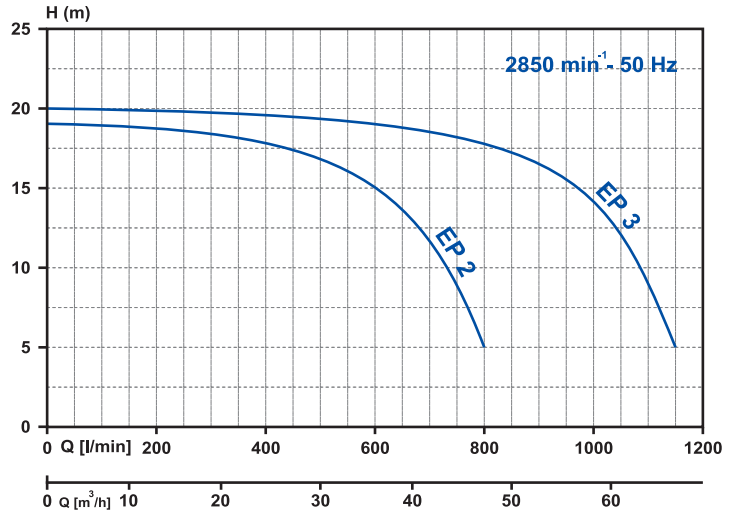
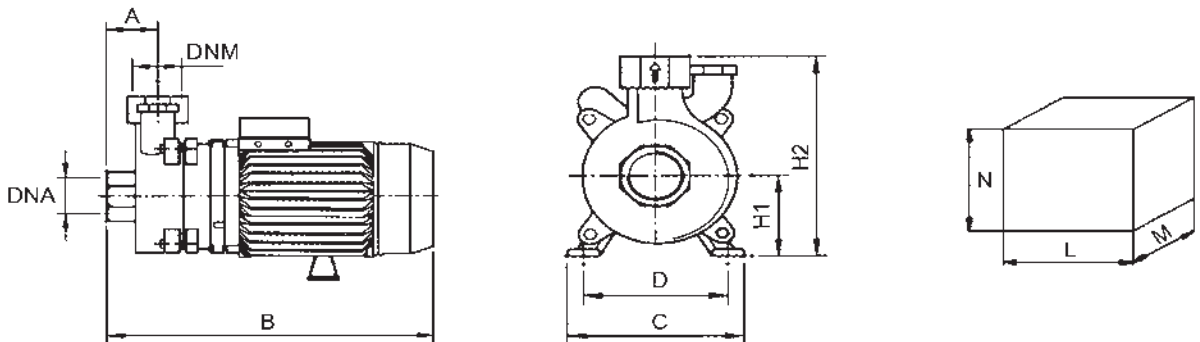




Series EP SINGLE IMPELLER CENTRIFUGAL ELECTRIC PUMPS



TYPE - MODEL		Nominal Power		Input Power kW		I (A)		Capacity (m ³ /h - l/min)							DNA	DNM	
								14	25	37	48	58	67	69			200
1~ Singlephase	3~ Threephase	kW	HP	1~	3~	1x230V 50Hz	3x400V 50Hz	Total head (m)									
EP 2	EP 2T	1.50	2	2.49	2.36	11.5	4.2	18	16.5	13	5					2"G	2"G
EP 3	EP 3T	2.25	3	3.1	3.1	13.6	5.3	20	18.5	18	14	13	5			3"G	3"G



TYPE	DIMENSION (mm.)								PACKING (mm.)			Weight
	A	B	C	D	H1	H2	DNA	DNM	N	L	M	Kg.
EP 2	62	380	199	165	112	264	2"G	2"G	300	380	250	21.8
EP 3	64	420	199	165	110	255	3"G	3"G	320	420	270	37.5

Cast iron pump body, Cast iron pump bracket, Brass impeller, Stainless steel shaft or mild steel, Max temperature of pumped liquid 90 °C, max working pressure 6 bar, Carbon/ceramic Mechanical Seal, Motor T.E.F.C 2 poles Insulation Class F Protection IP 55 or IP 44