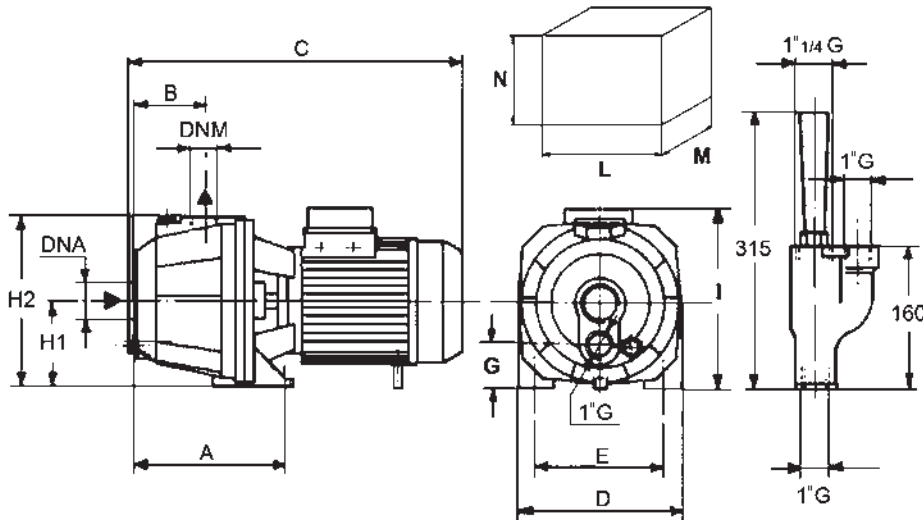




Series VA SINGLE IMPELLER CENTRIFUGAL ELECTRIC PUMPS



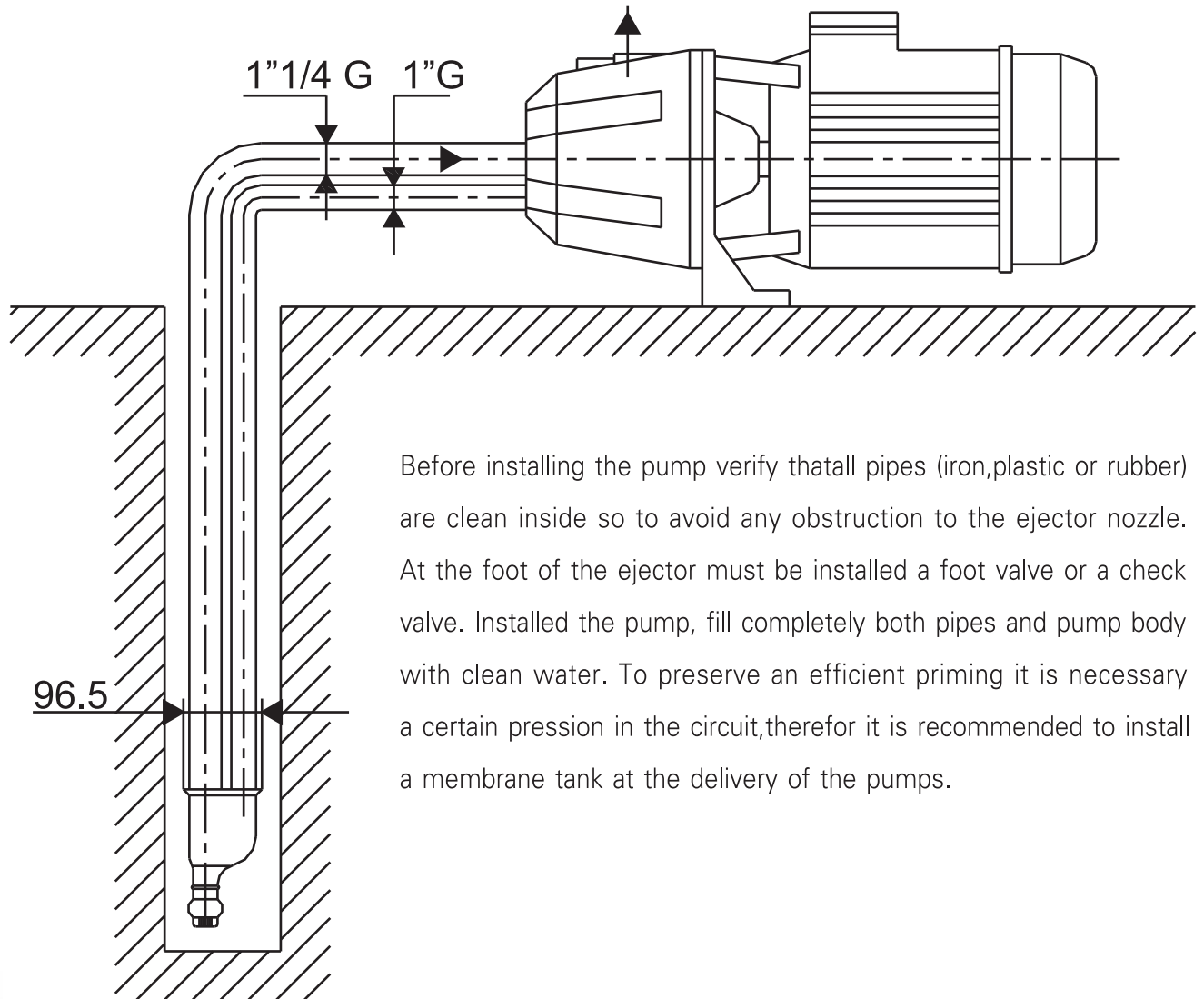
TYPE		P2		AMPERE		Ejector type	Suction depth. m	Capacity (m ³ /h - l/min)										DNA	DNM		
1~ 230 V - 50 Hz	3~ 230/400 V - 50 Hz	(HP)	(kW)	1~	3~			0.18	0.36	0.6	0.9	1.2	1.5	1.8	2.1	3	3.6				
				1x230V 50Hz	3x400V 50Hz			3	6	10	15	20	25	30	35	50	60				
Total head (m)																					
PA 100	PA 100 T	1	0.74	4.7	2.3	P 20	15	40	37	34	30	27	24	21	18			1 ¹ / ₄ G	1 ¹ G		
							20	37	34	30	25	21	17								
							25	30	25	20	14	11									
							30	14	8												
							35	12	4												
PA 150	PA 150 T	1.5	1.1	8.2	2.3	P 20	15						42	35	25	21		1 ¹ / ₄ G	1 ¹ G		
							20					50	37	30	21						
							25					45	34	27							
							35			49	41	20									
							40			48	40										
PA 200	PA 200 T	2.2	1.65	10.3	4.1	P 20	15							46	35	30		1 ¹ / ₄ G	1 ¹ G		
							20						48	43	32	27					
							25					50	44	40	28	23					
							35						28	20							
							40			46	30										
			49	40																	



TYPE	DIMENSION (mm.)											PACKING (mm.)			Weight Kg.
	A	B	C	D	E	I	G	H1	H2	DNA	DNM	N	L	M	
VA 100	168	82	360	180	140	195	52	97	185	1 ¹ / ₄ G	1 ¹ G	225	440	220	18
VA 200	125	74	415	220	177	230	60	112	240	1 ¹ / ₄ G	1 ¹ G	280	525	230	27.2
VA 300	125	74	415	220	177	230	60	112	240	1 ¹ / ₄ G	1 ¹ G	280	525	230	27.7



Series VA DEEP SUCTION SELF - PRIMING ELECTRIC PUMPS



Before installing the pump verify that all pipes (iron, plastic or rubber) are clean inside so to avoid any obstruction to the ejector nozzle. At the foot of the ejector must be installed a foot valve or a check valve. Installed the pump, fill completely both pipes and pump body with clean water. To preserve an efficient priming it is necessary a certain pressure in the circuit, therefore it is recommended to install a membrane tank at the delivery of the pumps.