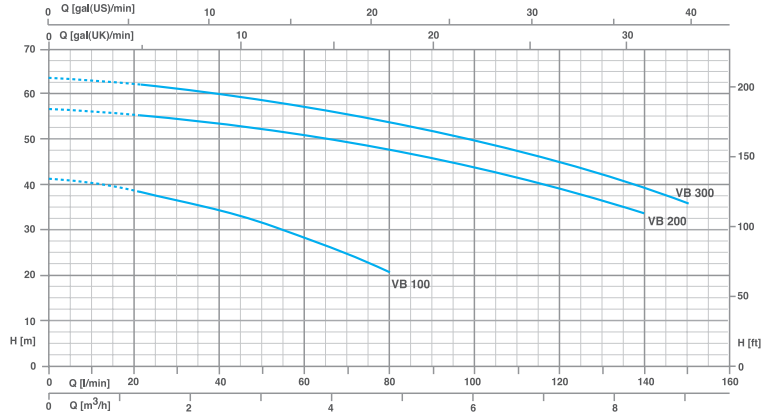
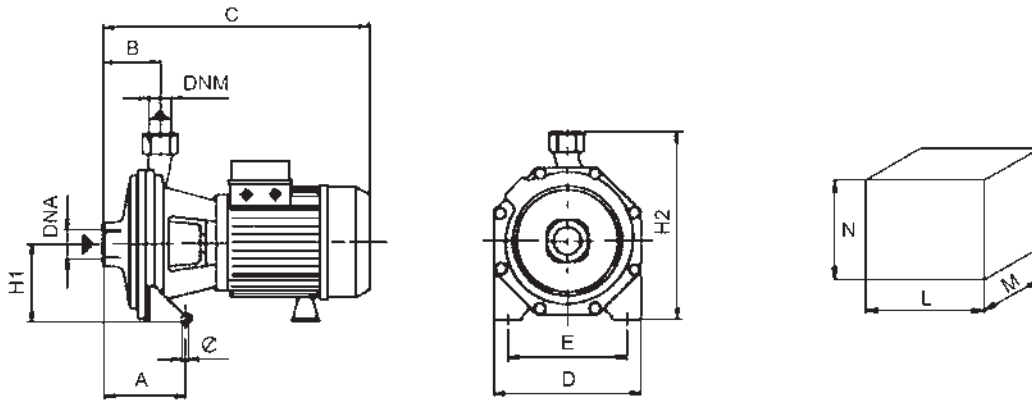




## Series VB SINGLE IMPELLER CENTRIFUGAL ELECTRIC PUMPS



TYPE		P2		AMPERE		Capacity ( m³/h - l/min)										DNA	DNM		
1~ 230 V - 50 Hz	3~ 230/400 V - 50 Hz	(HP)	(kW)	1~ 1x230V 50Hz	3~ 3x400V 50Hz	0	0.6	1.2	1.8	2.4	3.6	4.8	6	7.2	8.4			9	
						Total head (m)													
VB 100	VB 100 T	1	0.74	5.4	2.4	42	40.8	39.5	37.4	34.7	29.2	21						1"G	1"G
VB 200	VB 200 T	2	1.5	11.5	4.8	57.3	56.9	56	55.1	54	51.5	48.4	44.4	39.5	34			2"G	2"G
	VB 300 T	3	2.2		5.2	64	63.5	63	61.9	60.6	57.7	54.1	50	45.4	39.4	36		2"G	2"G



TYPE	DIMENSION (mm.)									PACKING (mm.)			Weight Kg.
	A	B	C	D	E	H1	H2	DNA	DNM	N	L	M	
VB 100	122	72	328	180	140	98	228	1"G	1"G	350	195	265	15.3
VB 200	115	82	385	210	170	110	265	1"1/4 G	1"G	405	225	295	25.6
VB 300	115	82	385	210	170	110	265	1"1/4 G	1"G	405	225	295	25.6

Cast iron pump body, Cast iron pump bracket, Brass impeller, Stainless steel shaft or mild steel, Max temperature of pumped liquid 90 °C, max working pressure 11 bar for VB-150,200,300 and 6 bar for VB-100  
Carbon/ceramic Mechanical Seal, Motor T.E.F.C 2 poles Insulation Class F Protection IP 55 or IP44