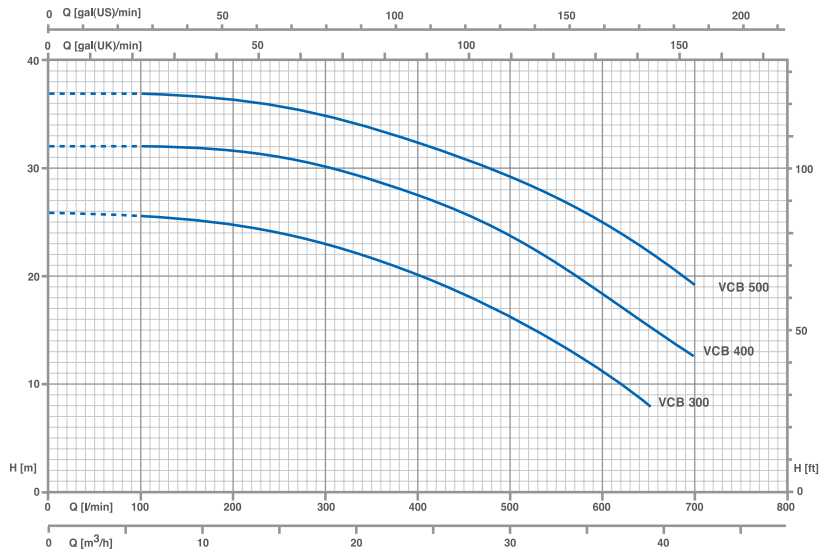
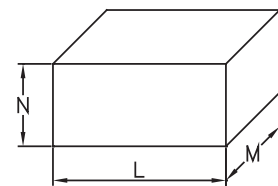
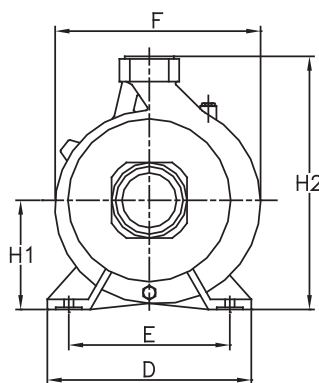
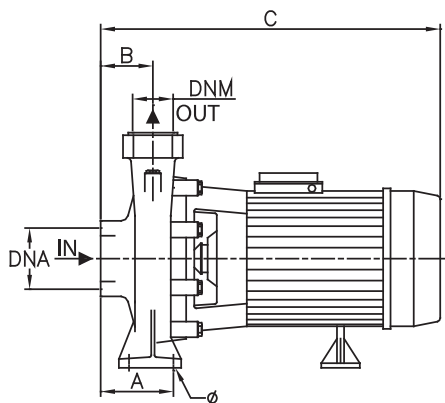




## Series VCB SINGLE IMPELLER CENTRIFUGAL ELECTRIC PUMPS



TYPE		P2		AMPERE		Capacity ( m³/h - l/min)							DNA	DNM
1~ 230 V - 50 Hz	3~ 230/400 V - 50 Hz			1~	3~	6	12	18	24	30	36	42		
		(HP)	(kW)	1x230V 50Hz	3x400V 50Hz	100	200	300	400	500	600	700	Total head (m)	
VCB 300	VCB 300 T	3	2.2	13.5	5.1	26	25	23	20	16	10.5		3"G	3"G
VCB 400	VCB 400 T	4	3	20.5	7.6	31.8	31.6	29.7	27.8	23	18.6	12.3	3"G	2"G
-	VCB 550 T	5.5	4		10	37	37	35.5	33	29.4	25	19	3"G	2"G



TYPE	DIMENSION (mm.)											PACKING (mm.)			Weight Kg.
	A	B	C	D	E	F	∅	H1	H2	DNA	DNM	N	L	M	
VCB 300T	105	70	385	240	190	240	14	126	306	3 G	2 G	360	460	270	34.5
VCB 400T	105	70	425	240	190	240	14	126	306	3 G	2 G	360	460	270	33.5
VCB 550T	105	70	445	240	190	240	14	126	306	3 G	2 G	360	460	270	39

Cast iron pump body, Cast iron pump bracket, Brass impeller, Stainless steel shaft or mild steel, Max temperature of pumped liquid 90 °C, max working pressure 6 bar for VJ-100 8 bar for VJ-150,200 Carbon/ceramic Mechanical Seal, Motor T.E.F.C 2 poles Insulation Class F Protection IP 55 or IP44