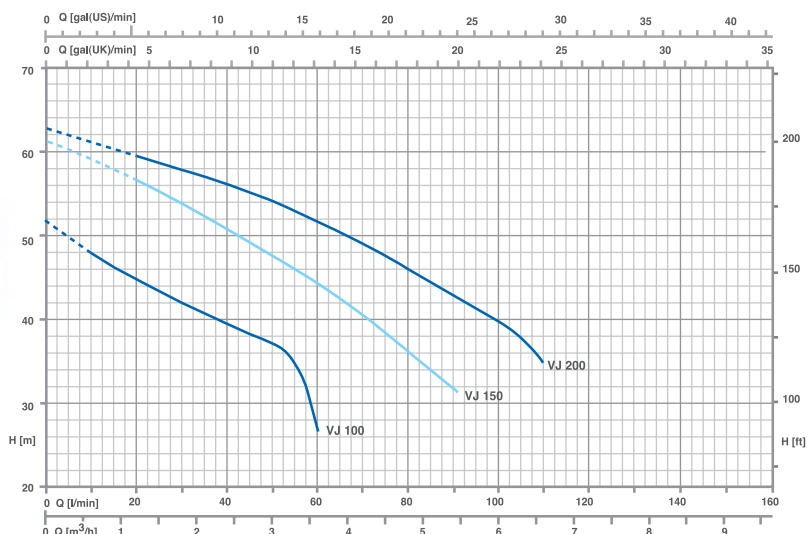
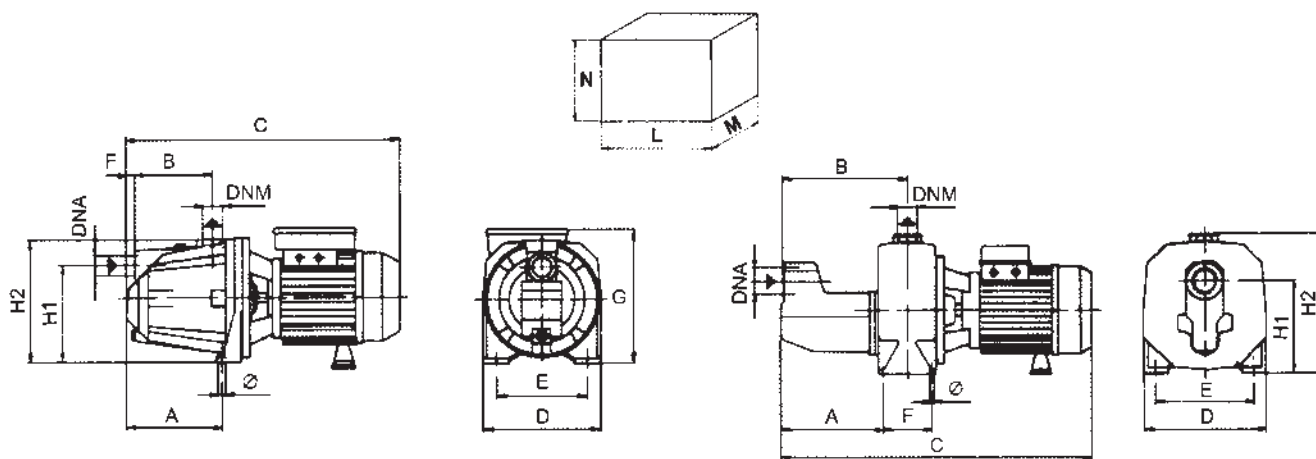




## Series VJ SINGLE IMPELLER CENTRIFUGAL ELECTRIC PUMPS



TYPE		P2		AMPERE		Capacity ( m³/h - l/min)											DNA	DNM		
1~ 230 V - 50 Hz	3~ 230/400 V - 50 Hz	(HP)	(kW)	1~	3~	0	0.6	1.2	1.8	2.4	3	3.6	4.2	5.4	6.6	7.8			8.4	
						1x230V 50Hz	3x400V 50Hz	Total head (m)												
VJ 100	VJ 100 T	1	0.74	4.7	2.3		47	42	37	32	27	10							1"G	1"G
VJ 150	VJ 150 T	1.5	1.1	7.9	3.3	61		56.5	54	50	48	46	41	32	34				1 1/2"G	1 1/2"G
VJ 200	VJ 200 T	2.2	1.65	10.3	3.9	62.5		59.5	58	56	54	51	49	42.5	40				1 1/2"G	1 1/2"G



TYPE	DIMENSION (mm.)												PACKING (mm.)			Weight
	A	B	C	D	E	F	G	∅	H1	H2	DNA	DNM	N	L	M	Kg.
VJ 100	225	122	415	180	140	15	200	9.5	152	185	1"G	1"G	240	430	200	16
VJ 150	205	227	560	220	177	90	-	9.5	162	250	1 1/2"G	1"G	280	570	230	27
VJ 200	205	227	560	220	177	90	-	9.5	162	250	1 1/2"G	1"G	280	570	230	28

Cast iron pump body, Cast iron pump bracket, Brass impeller, Stainless steel shaft or mild steel, Max temperature of pumped liquid 90 °C, max working pressure 6 bar for VJ-100 8 bar for VJ-150,200 Carbon/ceramic Mechanical Seal, Motor T.E.F.C 2 poles Insulation Class F Protection IP 55 or IP44