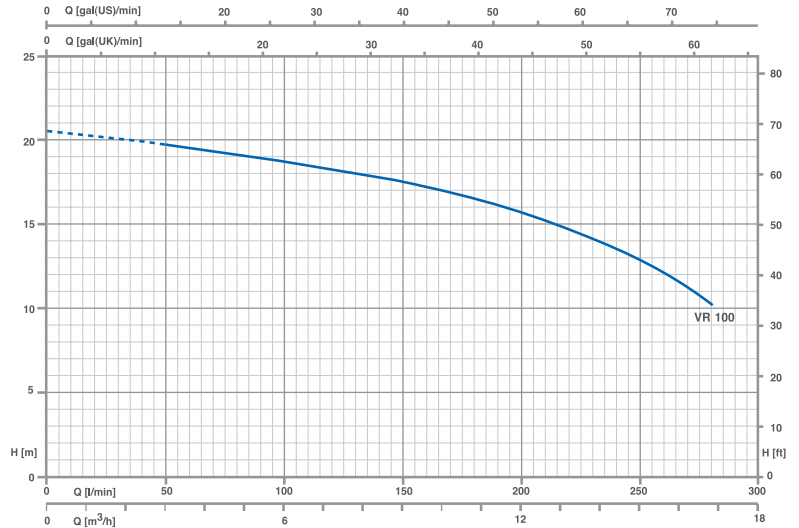




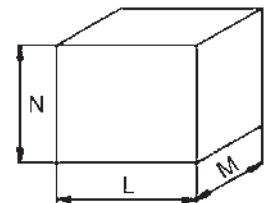
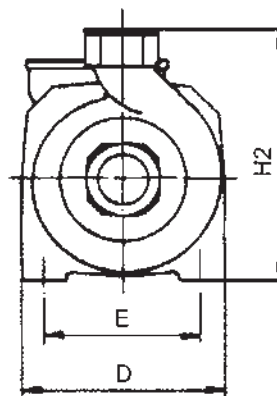
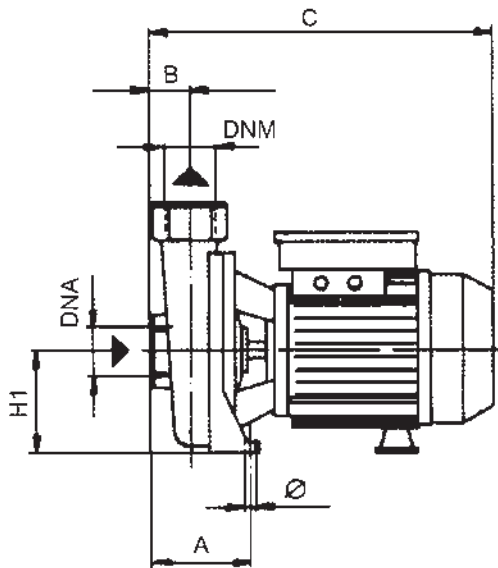
Series VR SINGLE IMPELLER CENTRIFUGAL ELECTRIC PUMPS



OPEN IMPELLER



TYPE		P2		AMPERE		Capacity (m ³ /h - l/min)						DNA	DNM	
1~	3~	(HP)	(kW)	1~	3~	2.4	4.8	7.2	9.6	12	14.4			16.8
230 V - 50 Hz	230/400 V - 50 Hz			1x230V 50Hz	3x400V 50Hz	40	80	120	160	200	240	280	Total head (m)	
VR 100	VR 100 T	1	0.74	5.3	2.4	20	19.2	18.5	17.3	15.5	13.5	10.5	1 1/2 G	1 1/2 G



TYPE	DIMENSION (mm.)										PACKING (mm.)			Weight Kg.
	A	B	C	D	E	Ø	H1	H2	DNA	DNM	N	L	M	
VR 100	125	38	305	180	116	9.5	97	232	1 1/2 G	1 1/2 G	270	320	210	14.6

Cast iron pump body, Cast iron pump bracket, Brass impeller, Stainless steel shaft or mild steel, Max temperature of pumped liquid 90 °C, max working pressure 6 bar, Carbon/ceramic Mechanical Seal, Motor T.E.F.C 2 poles Insulation Class F Protection IP 55 or IP 44