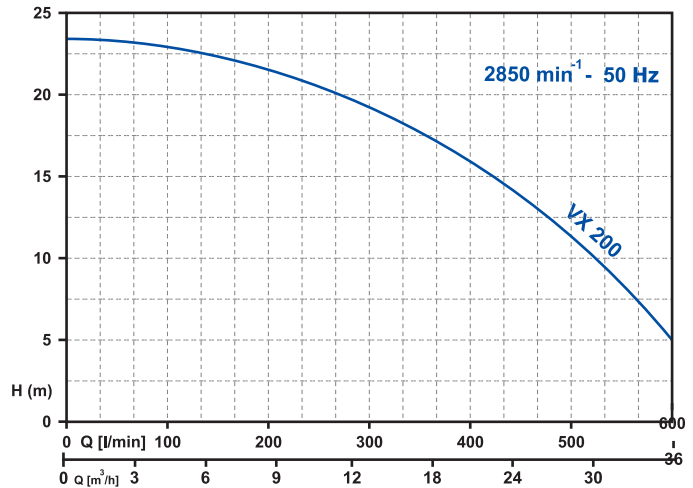
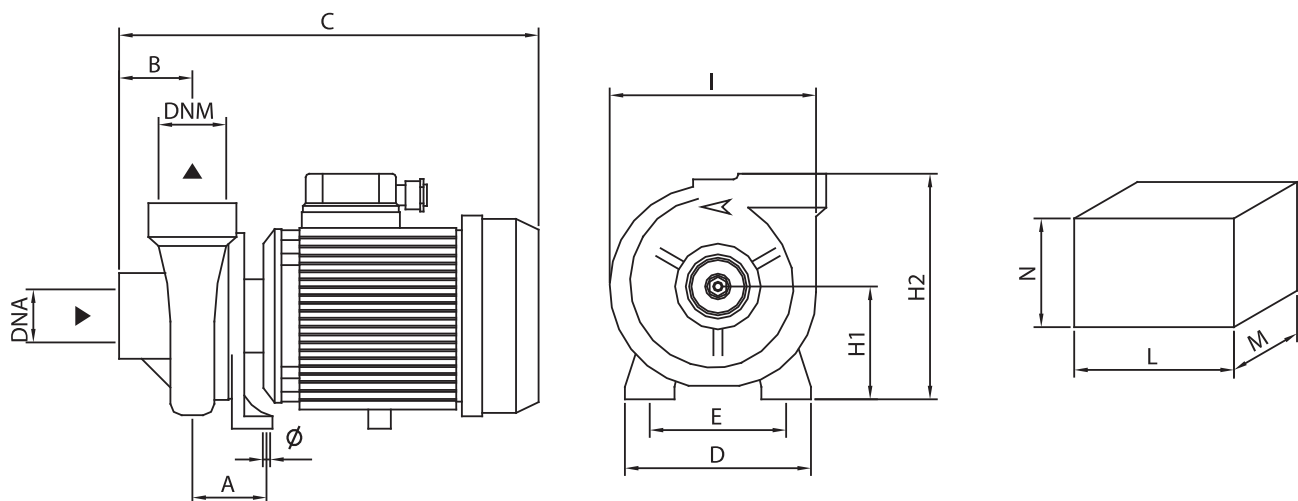




Series VX SINGLE IMPELLER CENTRIFUGAL ELECTRIC PUMPS



TYPE - MODEL		Nominal Power		Input Power		I (A)		Capacity (m³/h - l/min)								DNA	DNM
1~ Singlephase	3~ Threephase	kW	HP	1~	3~	1x230V 50Hz	3x400V 50Hz	3	6	9	12	18	24	30	36		
								Total head (m)									
VX 200	VX 200 T	1.5	2	2.49	2.36	11.5	4.2	23	22	21.5	21	18.5	16	12.5	5	2°G	2°G



TYPE	DIMENSION (mm.)											PACKING (mm.)			Weight
	A	B	C	D	E	I	Ø	H1	H2	DNA	DNM	N	L	M	Kg.
VX 200	119.7	64.9	375	164.6	120.9	190.8	9.7	103.6	201	2°G	2°G	280	410	250	22.4

Cast iron pump body, Cast iron pump bracket, Brass impeller, Stainless steel shaft or mild steel, Max temperature of pumped liquid 90 °C, max working pressure 6 bar, Carbon/ceramic Mechanical Seal, Mortor T.E.F.C 2 poles Insulation Class F Protection IP 55 or IP 44